








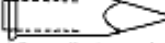
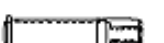
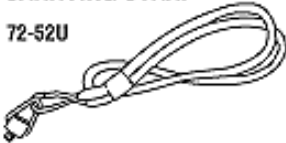



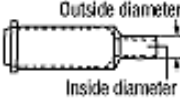

ULTRATORCH[®] UT-200, UT-200Si & UT-300Si TIPS



Quick Jump:

For use with UT-200, UT-200Si & UT-300Si Ultratorches

- Iron tips feature leading-edge combustion chamber/exhaust port design
- Copper-based iron tips are manufactured using patented process which produces a uniform iron and chrome plating thickness.
- All tips are pre-tinned
- Optional accessories interchangeable between UT-200, UT-200Si and UT-300Si models

<p>SOLDERING TIPS</p> <div style="display: flex; justify-content: space-between;"> <div style="width: 30%;">  <p>72-01-01 3mm dia. tapered needle soldering tip</p> </div> <div style="width: 30%;">  <p>72-01-05 1.5mm dia. tapered needle soldering tip</p> </div> <div style="width: 30%;">  <p>72-01-12 4mm dia. chisel soldering tip</p> </div> </div> <div style="display: flex; justify-content: space-between; margin-top: 10px;"> <div style="width: 30%;">  <p>72-01-02 10mm dia. chisel soldering tip (standard with 200)</p> </div> <div style="width: 30%;">  <p>72-01-06 4mm dia. micro spade soldering tip</p> </div> <div style="width: 30%;">  <p>72-01-13 12.5mm dia. spade soldering tip</p> </div> </div> <div style="display: flex; justify-content: space-between; margin-top: 10px;"> <div style="width: 30%;">  <p>72-01-03 4mm dia. spade soldering tip</p> </div> <div style="width: 30%;">  <p>72-01-07 1.5mm dia. tapered pyramid soldering tip (standard with 200Si)</p> </div> <div style="width: 30%;">  <p>72-01-14 Soldering tip adaptor (5mm dia. x 8mm pitch)</p> </div> </div>	<p>CARRYING STRAP</p> <p>72-52U</p> 	<p>HEAT TIPS</p> <div style="display: flex; justify-content: space-around; align-items: flex-start;"> <div style="text-align: center;">  <p>72-01-51 5.6mm O.D. 3.6mm I.D.</p> </div> <div style="text-align: center;">  <p>72-01-52 (Standard) 8.7mm O.D. 6.6mm I.D.</p> </div> <div style="text-align: center;">  <p>72-01-53 11.5mm O.D. 9.7mm I.D.</p> </div> </div> <div style="margin-top: 10px;">  <p>Outside diameter Inside diameter</p> </div>	<p>HEAT SHRINK ATTACHMENT</p>  <p>72-01-55 (Standard w/UT-200 & 200Si) 72-01-54 (Standard w/UT-300Si)</p>
---	--	--	--

ORDERING INFORMATION

PART NO.	ITEM NO.	DESCRIPTION
SOLDERING TIPS		
72-01-01	35135	3mm dia. tapered needle soldering tip
72-01-02	35078	10mm dia. chisel soldering tip (standard)
72-01-03	35136	4mm dia. spade soldering tip
72-01-05	35137	1mm dia. tapered needle soldering tip
72-01-06	35138	4mm dia. micro spade soldering tip
72-01-07	35070	1.5mm dia. tapered pyramid soldering tip
72-01-11	35361	7 mm dia. chisel soldering tip
72-01-12	35139	4 mm dia. chisel soldering tip
72-01-13	35140	12.5mm dia. 45° spade soldering tip
72-01-14	35141	Adapter (5mm dia. x 8mm pitch) tip
HEAT TIPS		
72-01-51	35142	5.6 O.D./3.6 I.D. (mm) heat tip
72-01-52	35071	8.6 O.D./6.6 I.D. (mm) heat tip (standard UT200, UT200Si, UT300 Si)
72-01-53	35143	11.5 O.D./9.7 I.D. (mm) heat tip

ACCESSORIES		
72-01-54	35362	Heat shrink attachment (lg) (standard UT300Si)
72-01-55	35072	Heat shrink attachment (5mm) (standard with UT200 and UT200si)
72-02	35053	Protective cap fits UT-200 & UT-200Si
72-52U	35144	Carrying strap
80-35	35079	Ejector spanner wrench
80-40	35056	Open end wrench
78-02	35355	Protective cap, U300Si only

Users should independently evaluate the suitability of the product for their application.

[HOME](#) [BACK TO PRODUCT LISTING](#)